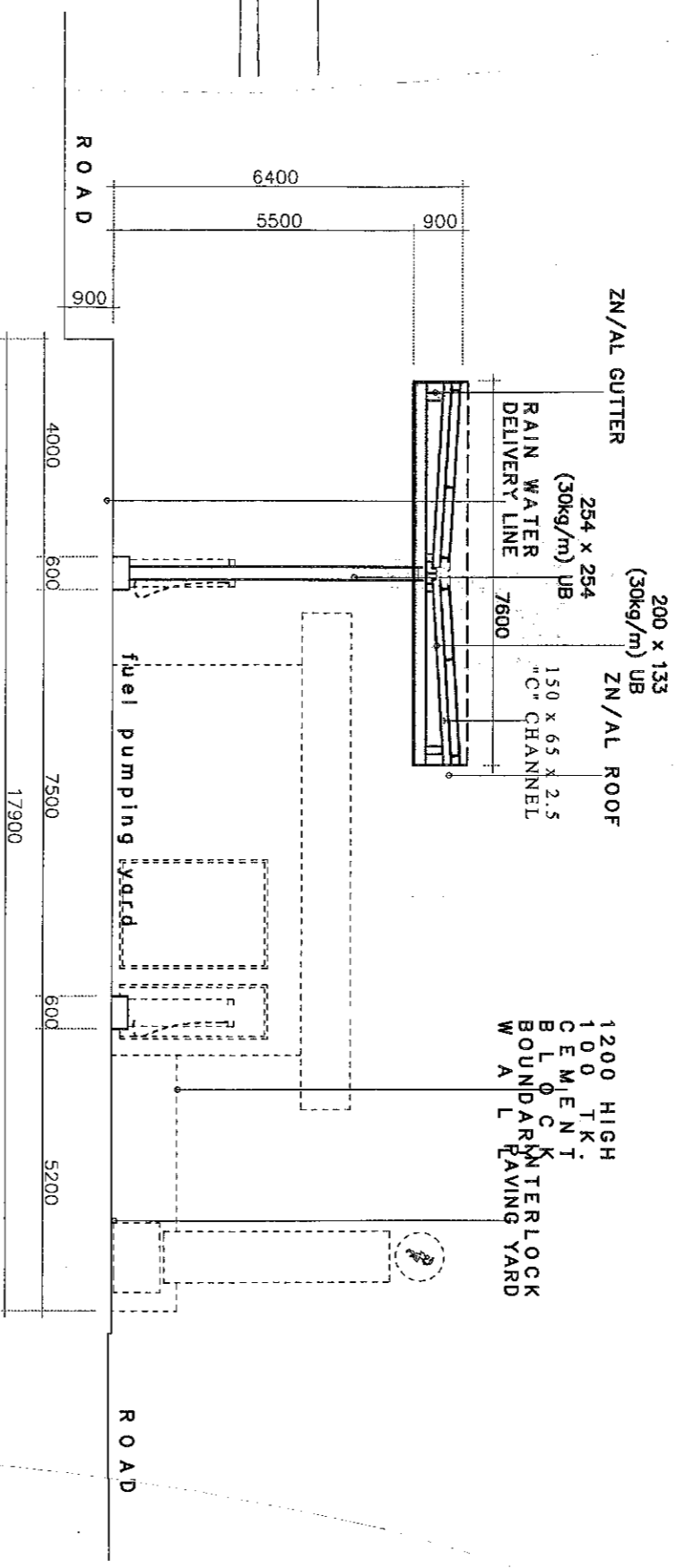
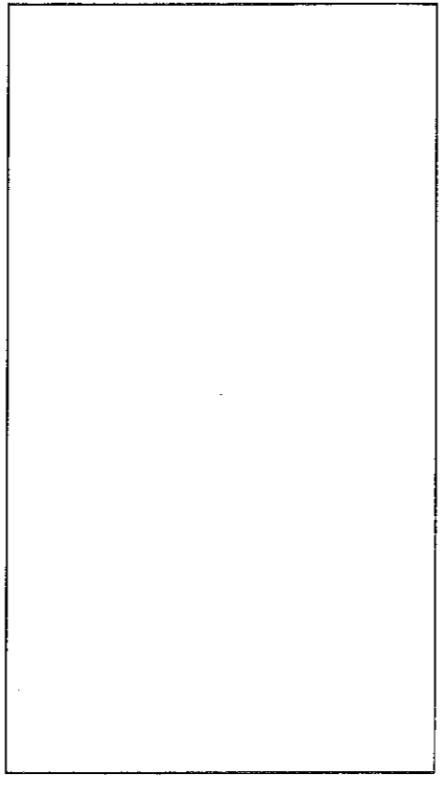


PROPOSED SIDE ELEVATION
SCALE - 1 : 100

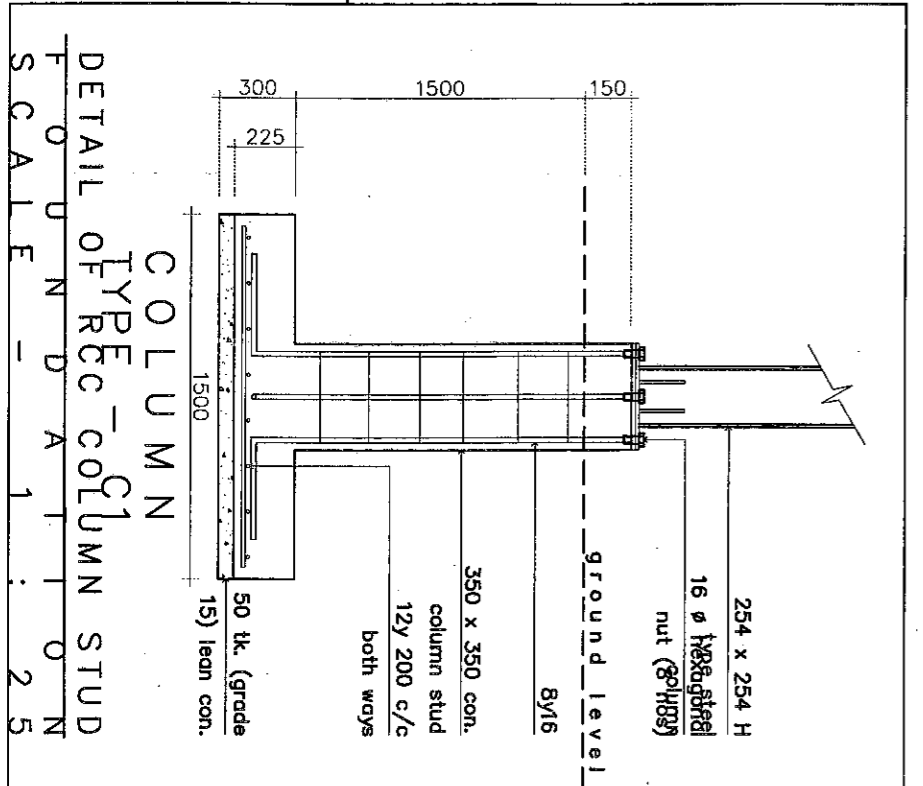


PROPOSED SECTION ON X-X
SCALE - 1 : 100

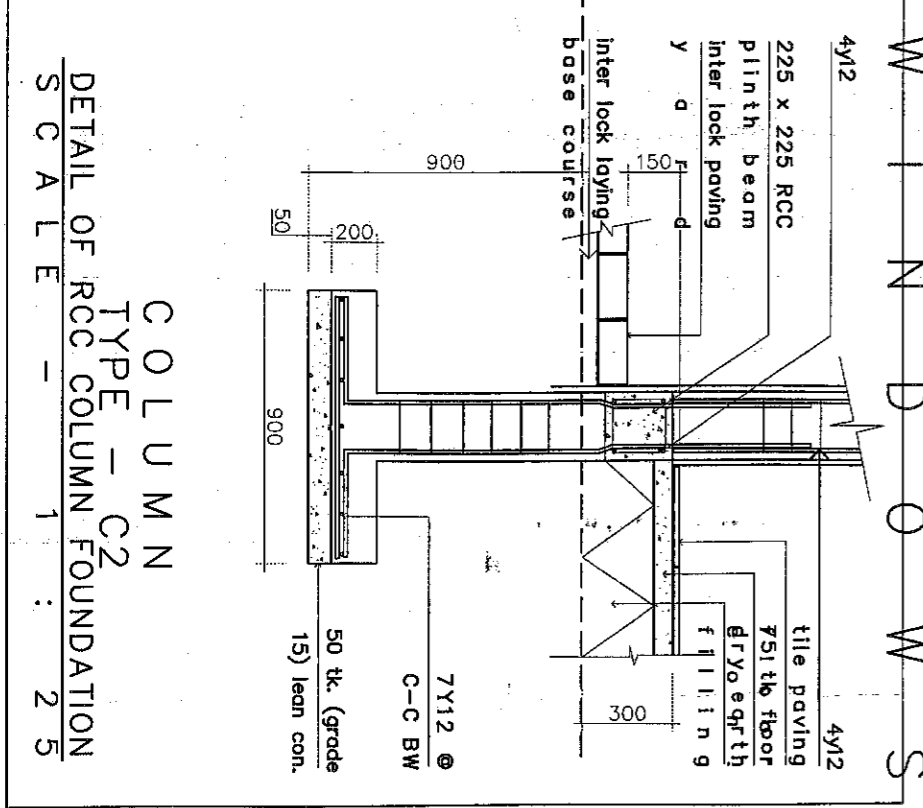


SCHEDULE OF DOORS & WINDOWS

TYPE	SIZE	DESCRIPTION	NOS
GD-1	1000 x 2000	AL. FRAMED GLAZED PANEELED DOOR	01
D-1	3000 x 2000	AL. FRAMED LOUVER PANEELED DOOR	01
D-2	2500 x 2000	AL. FRAMED LOUVER PANEELED DOOR	02
SWD-1	2200 x 2000	AL. FRAMED AL. PANEELED SWING DOOR	01
FG-1	3600 x 2000	AL. FRAMED FIXED GLAZED PANEELED WINDOW	01
FG-2	3000 x 2000	AL. FRAMED FIXED GLAZED PANEELED WINDOW	01
LV-1	2200 x 2000	AL. FRAMED AL. LOUVER FIXED PANEELED	01
LV-2	8000 x 2000	AL. FRAMED AL. LOUVER FIXED PANEELED	01



DETAIL OF TYPE C1
RCC COLUMN STUD
SCALE - 1 : 25



DETAIL OF TYPE C2
RCC COLUMN FOUNDATION
SCALE - 1 : 25